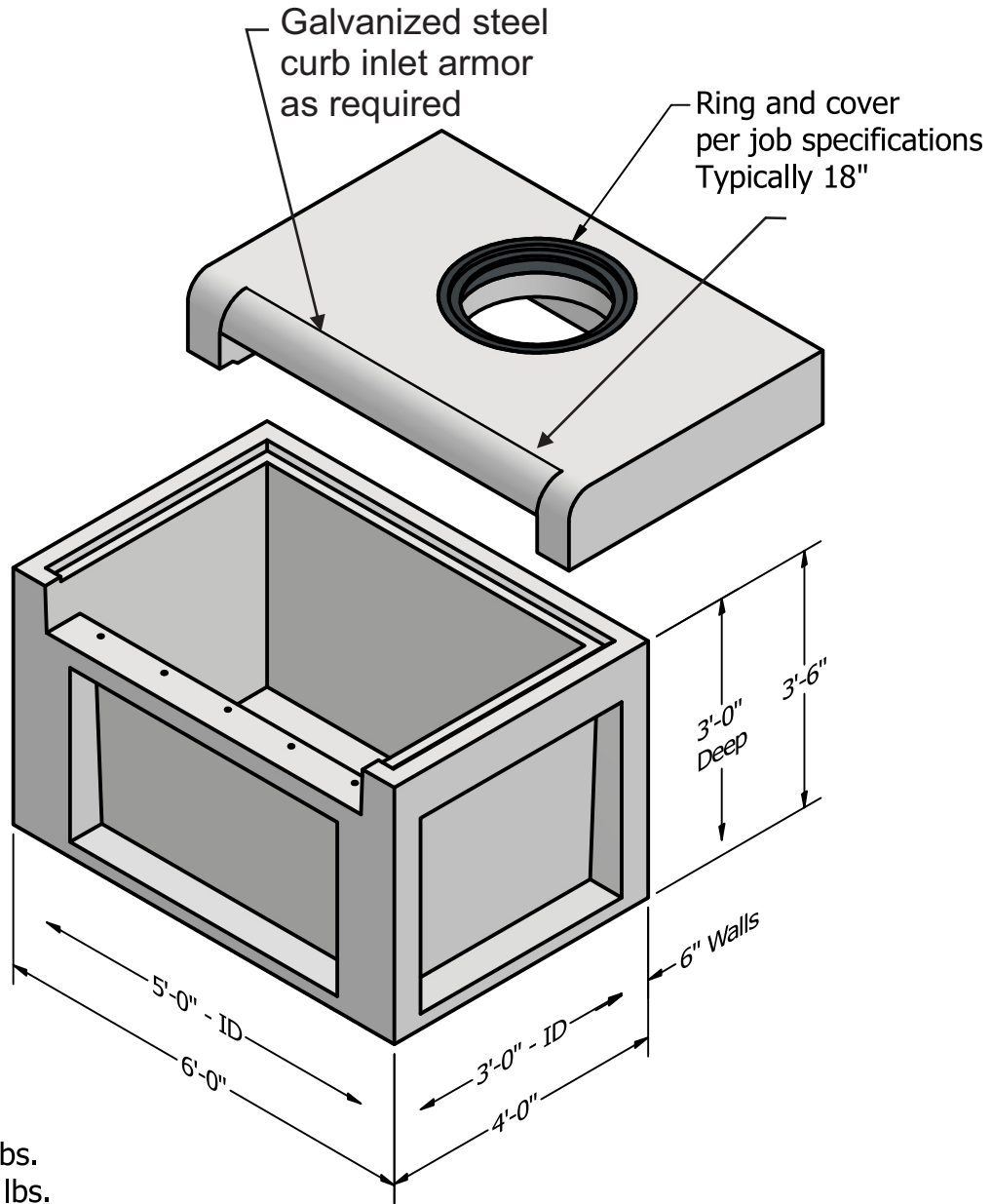


5' Curb Inlet



Specifications

Top Weight: 2,390 lbs.

Base Weight: 4,245 lbs.

Total Weight: 6,635 lbs.

Concrete strength: 5,000 PSI

Reinforcement:

- ASTM A-615 grade 60
- ASTM A1064



Lone Star Precast
454 Kelly Smith Lane
Buda, Texas 78610
Ph: 512.312.2121



TITLE

3' x 3' x 5' Curb Inlet Base

PART NO

CIB-3053-CA

DWG NO

CIB-3053-CA.idw

REV

DRAWN

RobertDavies

2/1/2022

SCALE

1 / 25

Dimensions Unit: inch

SHEET 1 OF 1